

V04075

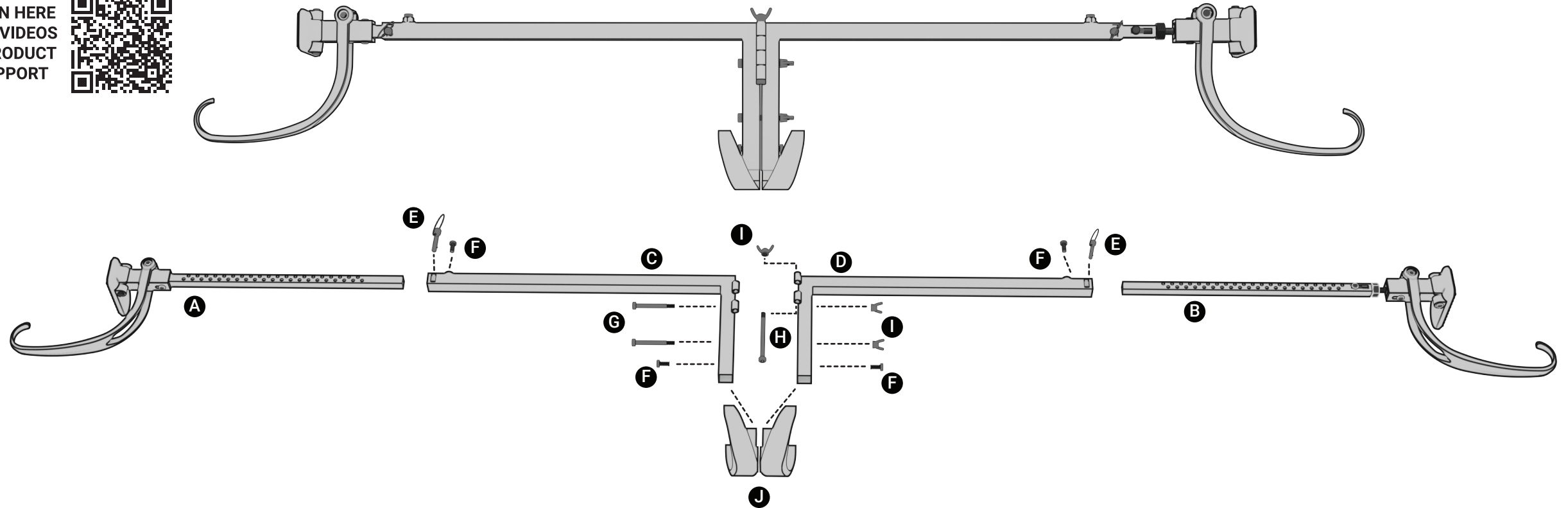


www.VillageLighting.com

# DELUXE GARLAND HANGER (LARGE)

V-20912 SERIES  
PATENT NO. US 8,777,023

SCAN HERE  
FOR VIDEOS  
& PRODUCT  
SUPPORT



### BEFORE YOU INSTALL:

1. Is your door jamb between 51-81 inches wide?
2. Do you have at least 2.25 inches of exposed door frame IN FRONT of the door?
3. Your door opens inward (Away from the Garland Hanger).
4. Your door does NOT have a screen door in front of it.

1. This item hangs from above your door. If over-weighted or incorrectly installed, it may fall causing damage to the hanger and your decor.

2. Falling could also result in serious injury to people or items.

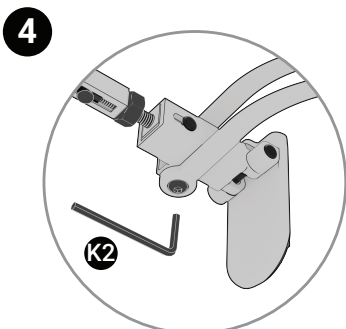
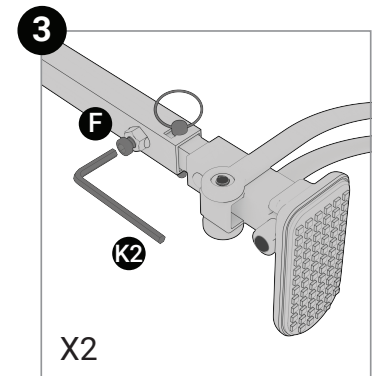
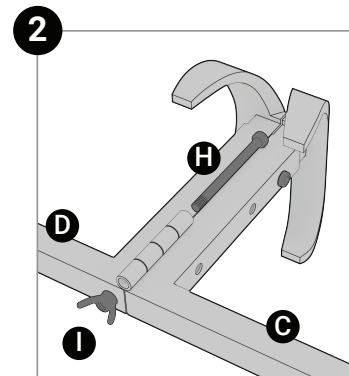
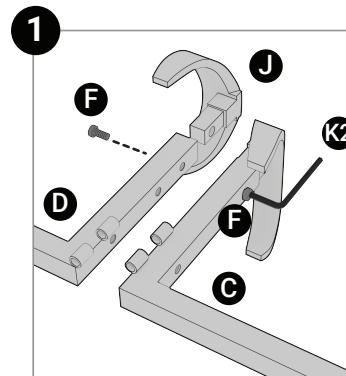
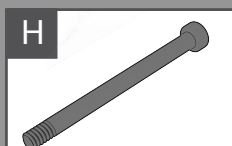
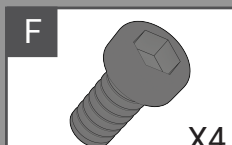
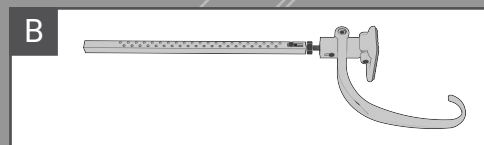
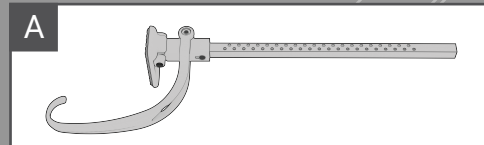
3. Do not hang anything other than garland from the garland hanger.

4. The garland hanger uses high pressure to secure it. Be careful when installing the hanger, especially at pinch points.

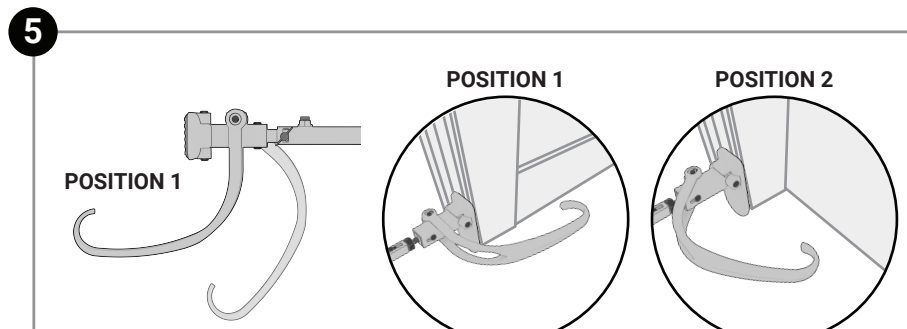
5. If a ladder is used, follow the safety instruction on your ladder and position it in a safe place. Always have someone assist you on the ladder for safety.

6. **DO NOT EXCEED 20 lb OF WEIGHT** on the garland hanger.

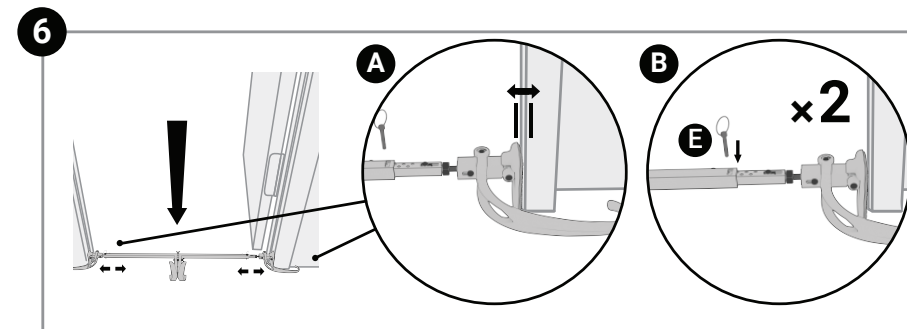
7. Save these instructions.



4. LOOSEN THE BOLT TO REPOSITION THE WING. TIGHTEN AFTER ADJUSTMENT.



5. POSITION 1  
POSITION 2



6. ADJUST THE WIDTH EVENLY SO THE HANGER IS SLIGHTLY WIDER THAN THE DOOR FRAME ON BOTH SIDES.



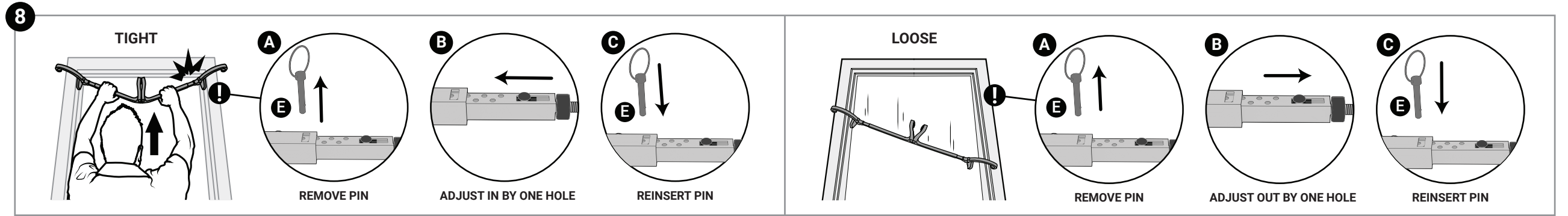
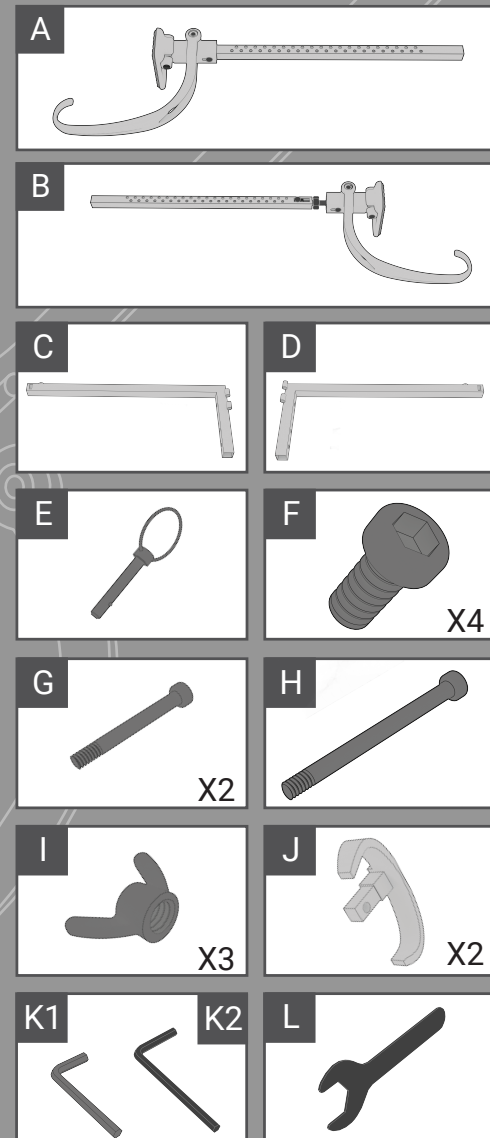
7. CLEAN THE DOOR FRAME



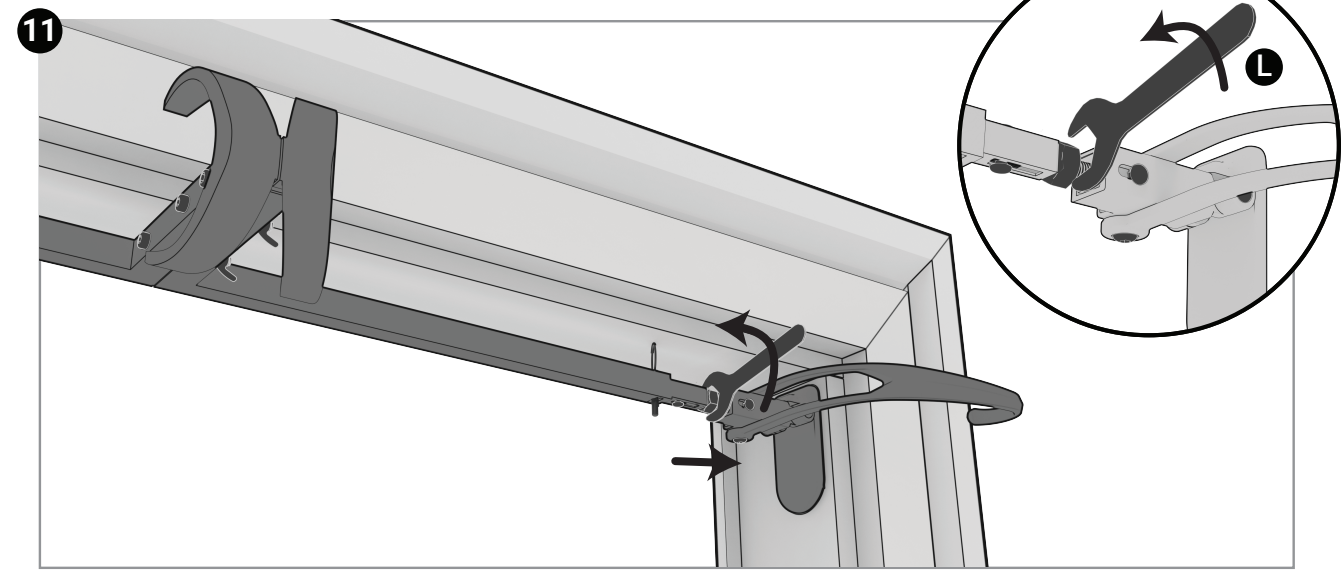
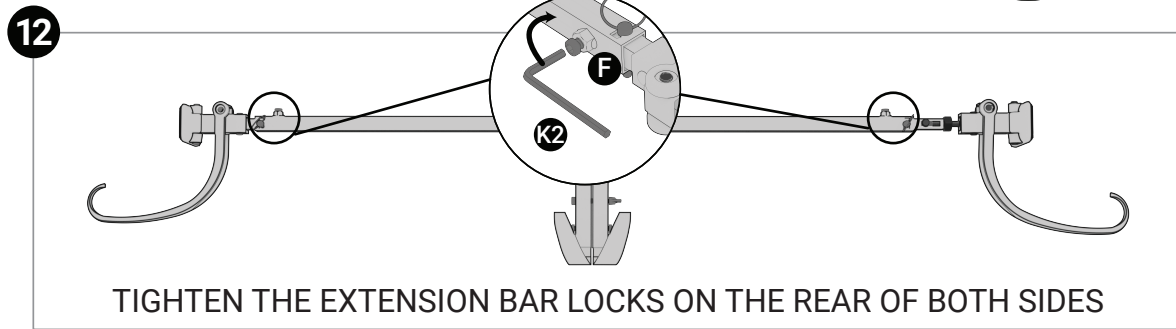
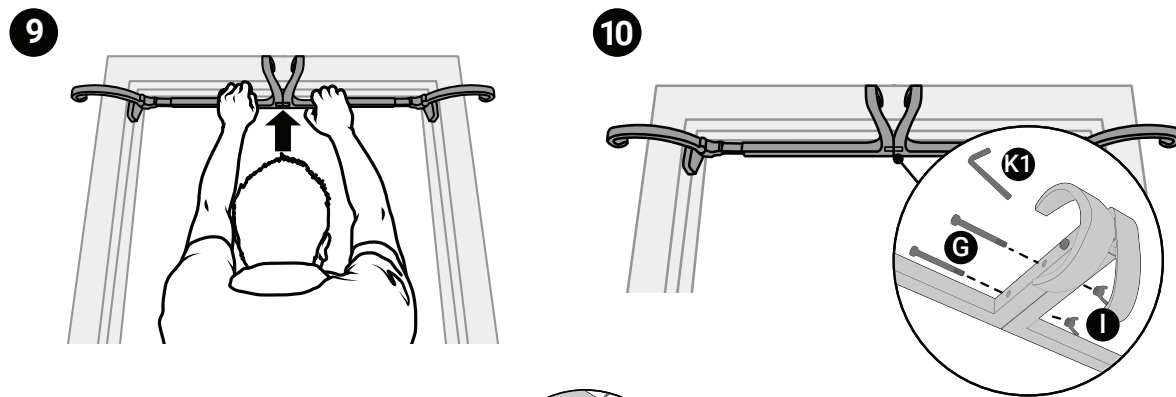
www.VillageLighting.com

# DELUXE GARLAND HANGER (LARGE)

V-20912 SERIES  
PATENT NO. US 8,777,023



AFTER HANGING, GENTLY PULL DOWN TO TEST FIT. IF LOOSE, TAKE DOWN, EXTEND THE ROD ANOTHER NOTCH, AND TRY AGAIN. IF NOW TOO TIGHT, REVERT BACK AND USE THE FINE ADJUSTMENT IN STEP 11 TO COMPLETE THE FITTING.



WITH THE GARLAND HANGER IN PLACE, USE THE WRENCH TO ROTATE THE BOLT ON THE RIGHT ARM CLOCKWISE TO FURTHER TIGHTEN. **IF MORE THAN .25 INCHES ARE NEEDED TO FULLY TIGHTEN, THEN RETURN TO STEP 8 AND EXTEND THE ROD.**

